

# AtlasPRO

Robust Multi-Purpose UAV



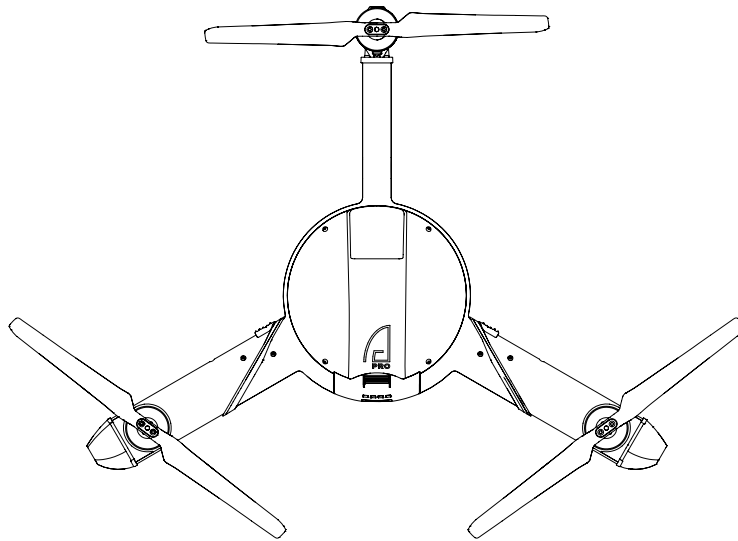
reddot design award  
winner 2018



# SPECIFICATIONS

www.atlasuas.com

## AtlasPRO Robust Multi-Purpose UAV

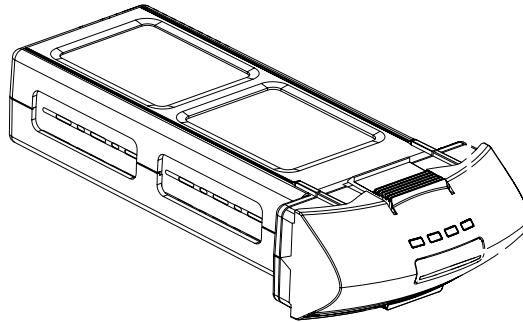


<b>Aircraft Dimensions (excluding propellers):</b>	Folded: 417 x 323.5 x 115.5 mm / Folded: 16.4" x 12.7" x 4.55" Unfolded: 445 x 557.5 x 185.5 mm / Unfolded: 17.5" x 22" x 7.3"
<b>Weight (excluding battery and payload):</b>	1050 g / 2.31 lbs
<b>Weight (with battery, excluding payload):</b>	1585 g / 3.5 lbs
<b>Max Takeoff Weight:</b>	1900 g / 4.18 lbs
<b>Max Payload:</b>	315 g / 0.7 lbs
<b>Operating Temperature Range (optional):</b>	-20°C to +55°C (-30°C +50°C) / -4°F to 131°F (-22°F to 122°F)
<b>Storage Temperature Range:</b>	-20°C to 45°C up to 3 months / -4°F to 113°F up to 3 months 25 +/-3°C more than 3 months / 77 +/-5°F more than 3 months
<b>Ingress Protection Rating:</b>	IP44 certified
<b>Operating Frequency:</b>	2.4 - 2.4835 GHz 2.2 - 2.7 GHz
<b>RF Output Power:</b>	30 dBm
<b>Antenna Gain:</b>	3 dBi
<b>GNSS:</b>	GPS + GLONASS + Galileo
<b>Hovering Accuracy (GPS mode):</b>	0.5 m - 2.5 m / 1.65 ft - 8.2 ft
<b>Downward Facing Rangefinder:</b>	ToF LIDAR
<b>Field of View:</b>	+/- 1.7 degree conical beam
<b>Obstacle Sensing Range:</b>	(20 m) / (65.6 ft)
<b>Noise Level:</b>	56 dBA at 15 m / 56 dBA at 49.2 ft
<b>Max Tilt Angle:</b>	45 degrees
<b>Max Ascent Speed:</b>	5 m/s / 16.4 ft/s
<b>Max Descent Speed:</b>	Variable, 1.5 - 3.5 m/s / Variable, 5 - 11.5 ft/s
<b>Max Control Speed:</b>	56 km/h / 34.8 mph
<b>Max Speed (with payload):</b>	Standard props: 56 km/h / 34.8 mph Quiet props: 46 km/h / 27.3 mph
<b>Max Wind Resistance:</b>	15.5 m/s (56 km/h) / 51 ft/s (34.8 mph)
<b>Max Flight Time (with payload):</b>	32 min
<b>Max Flight Distance:</b>	16 km / 10mi
<b>Max Service Ceiling Above Sea Level:</b>	3000 m / 9800 ft
<b>Propeller Model:</b>	Standard props: Length: 30.5 cm. Weight: 12.2 g / 12" x 5.5" Weight: 0.43 oz Quiet props: Length: 33.2 cm. Weight: 15.8 g / 13" x 4" Weight: 0.56 oz
<b>Supported Payloads:</b>	EO (RGB): KALOS 120, ARGUS M20 IR: VISOR NX, VISOR FF

# SPECIFICATIONS

[www.atlasuas.com](http://www.atlasuas.com)

AtlasPRO Robust Multi-Purpose UAV



## Battery

<b>Capacity:</b>	6500 mAh
<b>Nominal Voltage:</b>	15.2 V
<b>Max Charging Voltage:</b>	17.4 V
<b>Battery Type:</b>	LiPo 4S
<b>Energy:</b>	99 Wh
<b>Net weight:</b>	535 g / 1.18 lbs
<b>Charging Temperature Range (optional):</b>	-20°C to +55°C (-30°C +50°C) / -4°F to 131°F (-22°F to 122°F)
<b>Storage Temperature Range:</b>	-20°C to 45°C up to 3 months / -4°F to 113°F up to 3 months 25 +/-3°C more than 3 months / 77 +/-5°F more than 3 months
<b>Charging Temperature Range (using heater):</b>	-20°C to 40°C / -4°F to +104°F
<b>Max Charging Power:</b>	99.18 W
<b>Heating Time:</b>	15 minutes at -20°C / 15 minutes at -4°F 10 minutes at -10°C / 10 minutes at 14°F 5 minutes at 0°C / 5 minutes at 32°F
<b>Heating Power:</b>	50W
<b>Certification:</b>	<ul style="list-style-type: none"><li>• UN38.3</li><li>• UL1642</li><li>• PI965</li><li>• PI966</li></ul>

All product specifications are subject to change without notice