

# CHASING M2 PRO MAX

Industrial-Grade Underwater ROV



Easy | Powerful

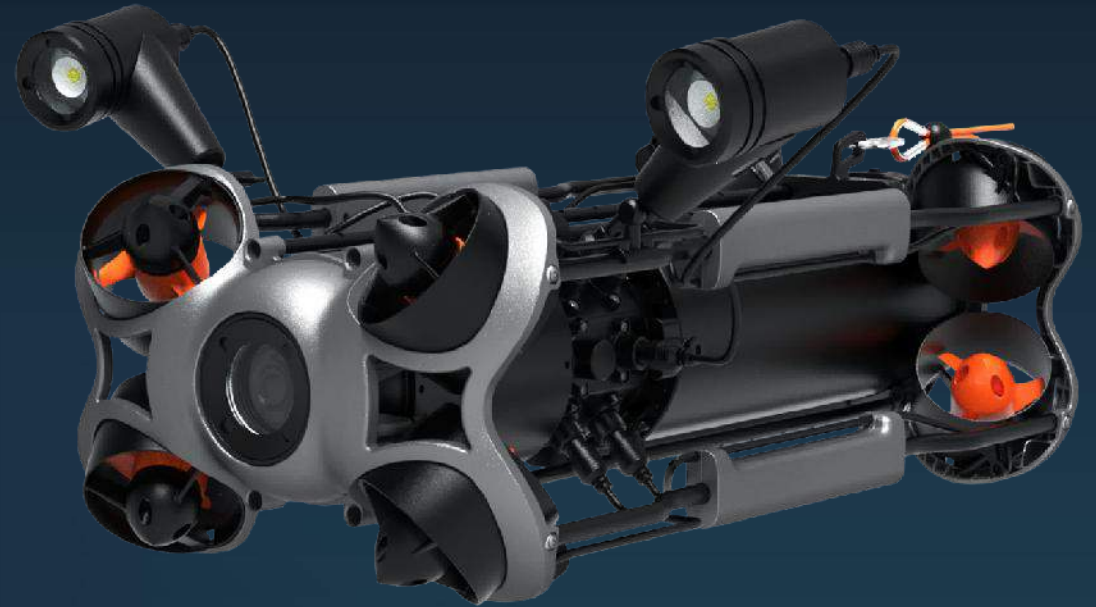
\* Display only, the detailed configuration is subject to the listed products.

## CHASING M2 PRO MAX

is an industrial-grade underwater remote operated vehicle (ROV) designed for government and enterprise users. It is equipped with eight vectored thrusters, allowing 360-degree omnidirectional movements. The ROV can navigate at a maximum speed of 3 knots, dive to 200 meters deepwater, and move around a maximum horizontal radius of 400 meters.

CHASING M2 PRO MAX adopts the quick assembly and disassembly technology, enabling tool-free quick assembly and disassembly of more than 20 accessories such as sonars, CHASING USBL KIT, and CHASING Water Sampler. In addition, CHASING M2 PRO MAX has an integration of five ports, which simplifies the installation of multiple accessories. Up to five accessories can be mounted at a time. The ROV is powered by the second-generation anti-stuck motor C-MOTOR 2.0, which has 30% more power for a better anti-stuck capability. The second-generation shore-based power supply system (C-SPSS) is an optional accessory. It adopts the battery compartment design, with 1500W upgraded output power, ensuring M2 PRO MAX constantly works at full power without an outage. The external 8000-lumen floodlights can achieve the best beam angle at 150°, which resolves the reflection of floating debris and clearly illuminates every detail.

CHASING M2 PRO MAX provides easier-to-use, more professional, and more reliable underwater solutions for various industrial applications, such as underwater emergency rescue, hull and dock inspection, aquaculture inspection, water conservancy and hydropower inspection, scientific exploration, and offshore wind power facility inspection.



# Easy and Convenient Assembly and Disassembly

The Quick Accessory Assembly and Disassembly Technology allows you to install accessories on the ROV by combining the **slide-in mounting platform** and the ROV support rod. The process is convenient and reduces assembly and disassembly time and effort.

Slide-in  
mounting platform



\* Display only, the detailed configuration is subject to the listed products.

# Five Ports Integrated Simplifies the Installation of Multiple Accessories



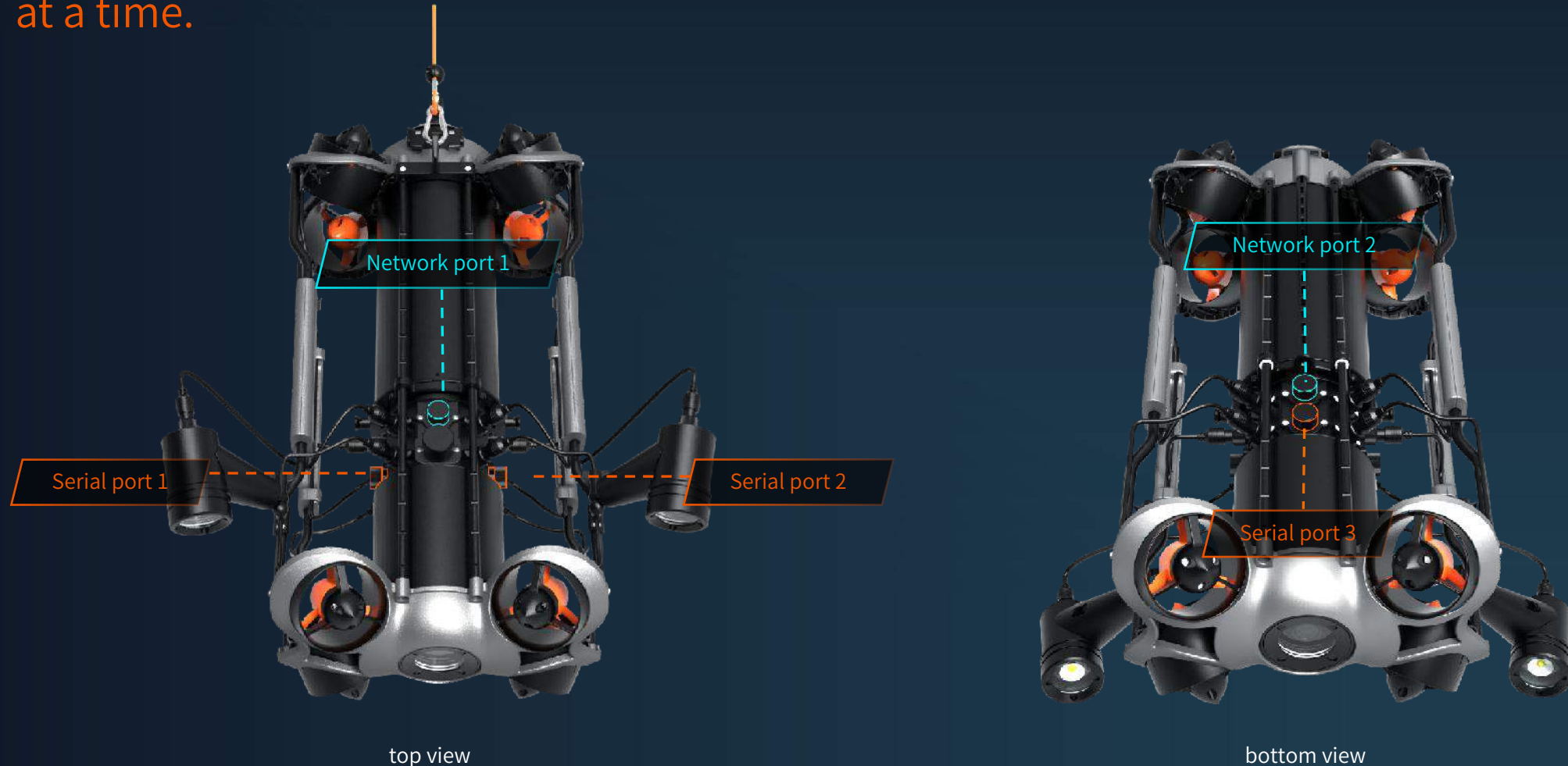
CHASING M2 PRO

CHASING M2 PRO MAX

\* Display only, the detailed configuration is subject to the listed products.



The docking station is integrated into the ROV, simplifying the installation of multiple accessories. The new layout of the five reserved ports supports up to five accessories at a time.



\* Display only, the detailed configuration is subject to the listed products.

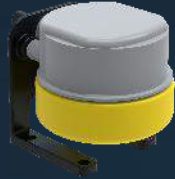
More than 20 innovative CHASING accessories and third-party software and hardware can be installed for extensions.



LASER Scaler



Auxiliary Camera



DISTANCE  
LOCK SONAR



Imaging SONAR



WaterLinked DVL



Underwater Led  
Video Light



Adapter Box



USBL



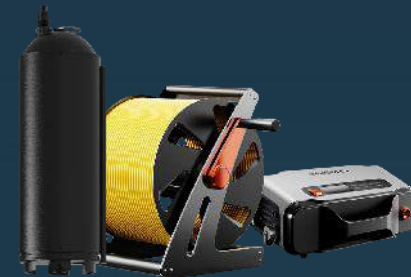
Grabber Arm 2



Control Console



Multiparameter Sonde



C-SPSS



500ml Water Sampler



Underwater search  
& rescue



Hull & Dock  
inspection



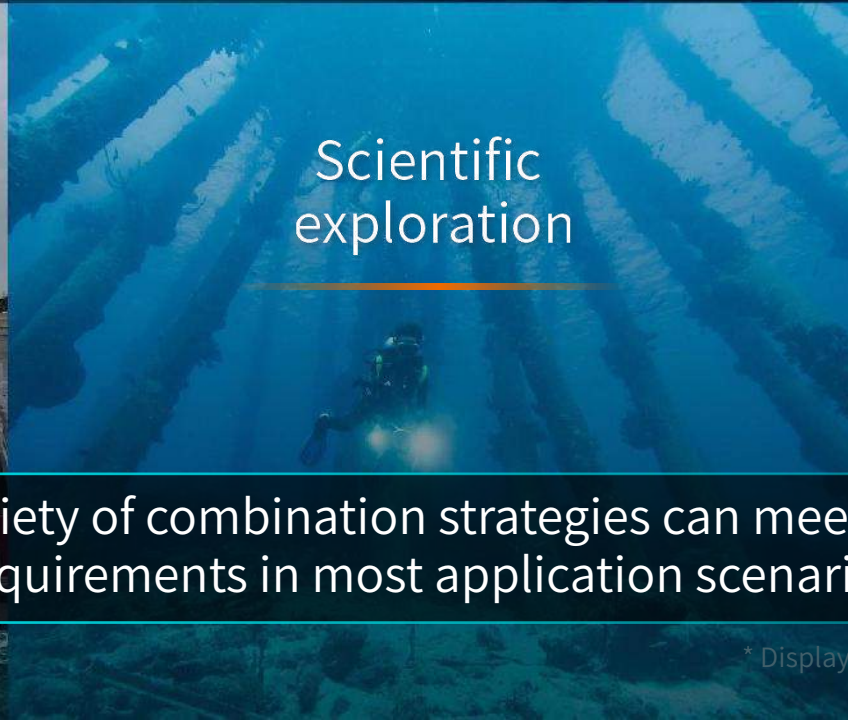
Aquaculture  
inspection



Water conservancy and  
hydropower inspection



Scientific  
exploration



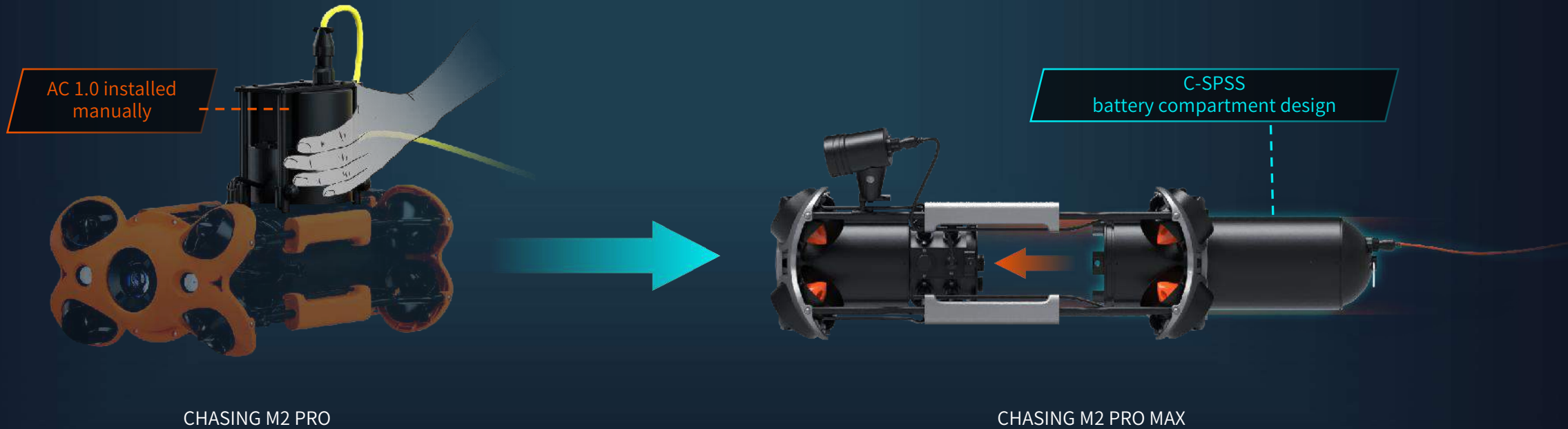
Inspection of offshore  
wind power facilities



A variety of combination strategies can meet your requirements in most application scenarios.

# CHASING Shore-Based Power Supply System (C-SPSS) Enables 24/7 Missions

CHASING shore-based power supply system (C-SPSS) adopts a battery compartment design, which can achieve an easier installation.

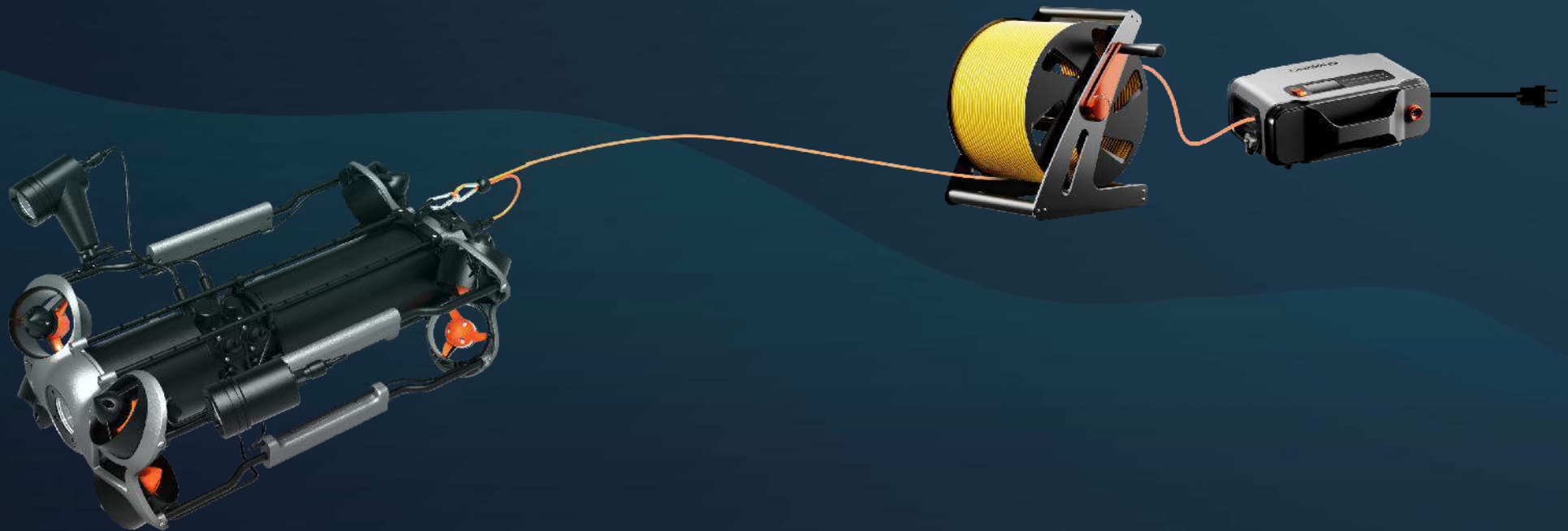


\* Display only, the detailed configuration is subject to the listed products.



# CHASING Shore-Based Power Supply System (C-SPSS) Enables 24/7 Missions

The output power is increased to 1500W, ensuring that the ROV can work 24/7 at full power without an outage.

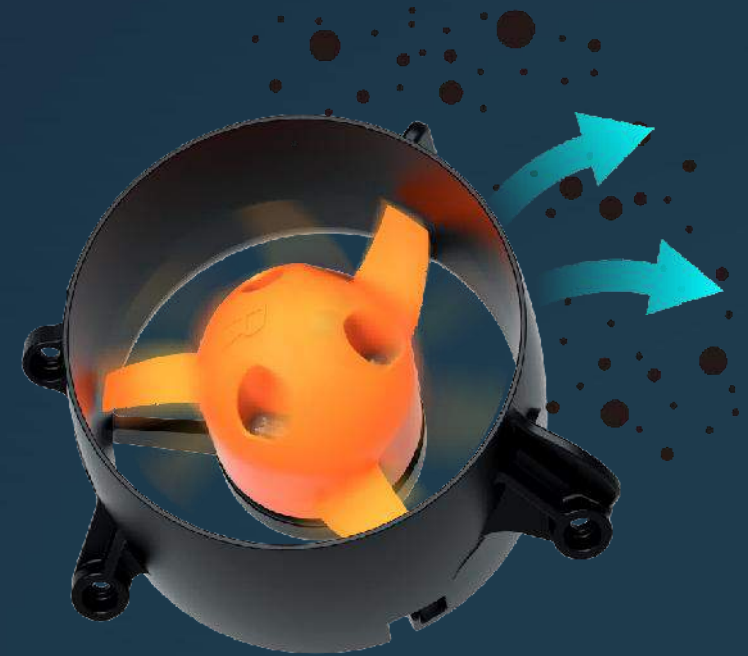


\* Display only, the detailed configuration is subject to the listed products.

# CHASING C-MOTOR 2.0 Enhances Power and Reliability



8 thruster vector layout, using new materials, new technology, fluid design, power increased by 30%.

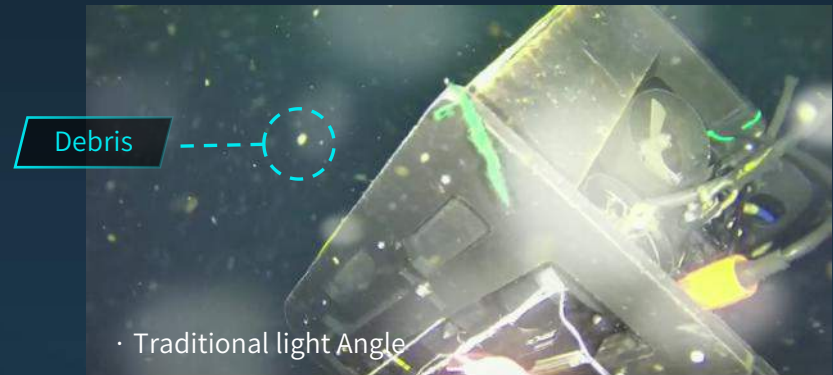


The anti-stuck performance is improved, making the ROV easier to clean and more reliable.

\* Display only, the detailed configuration is subject to the listed products.

# External Floodlights Illuminate Every Detail

Two external floodlights can provide a sum of 8000 lumens' illumination and **achieve the best beam angle at 150°**, which can resolve the visual interference caused by the reflection of floating debris. This feature also allows **stepless adjustment of brightness in the range of 0-100%**, allowing the ROV to illuminate each detail in the underwater environment as needed.

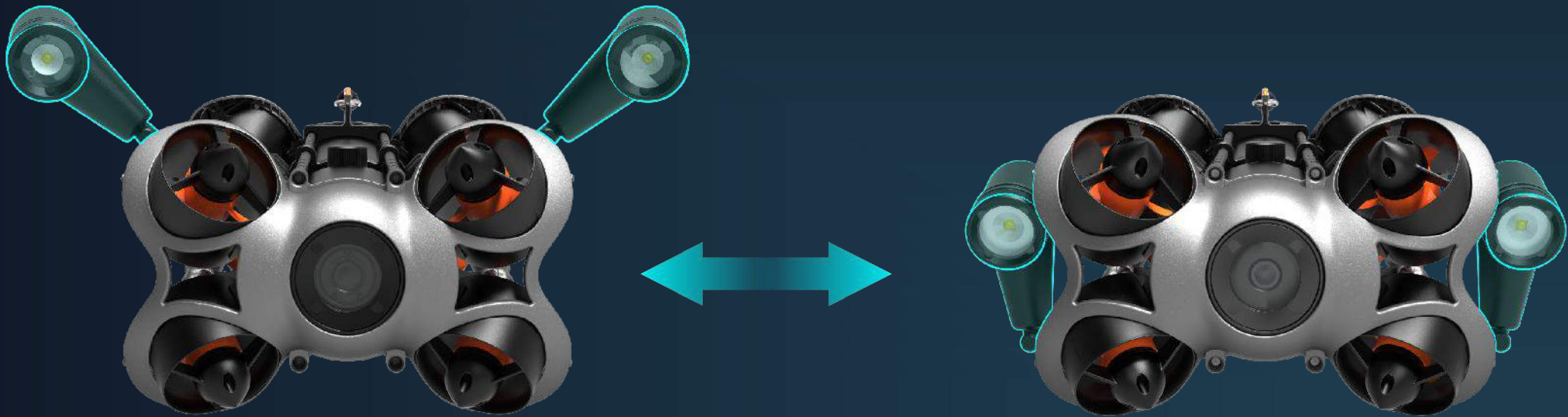


\* Display only, the detailed configuration is subject to the listed products.



# External Floodlights Illuminate Every Detail

The floodlights can work folded or unfolded underwater, meeting various needs for complicated underwater application scenarios.



\* Display only, the detailed configuration is subject to the listed products.

# 200m Depth Rating for a Broader Operating Range

M2 PRO MAX can dive up to 200m (656ft) with a maximum horizontal radius of 400 meters (1312ft). Combining with different lengths of tether cables, it can work in a broader range and meet more needs of underwater applications.



Maximum diving depth  
**200 meters**

Maximum activity radius  
**400 meters**

# 4K+EIS Image Stabilization, F1.8 Aperture

M2 PRO MAX supports 4K video resolution and 12-megapixel photos. It is equipped with 1/2.3 SONY CMOS and EIS anti-video-shake feature, allowing you to capture every underwater detail.

4K and 1080p video

12 megapixel photos

1/2.3 SONY CMOS

EIS anti-video-shake feature



\* Display only, the detailed configuration is subject to the listed products.



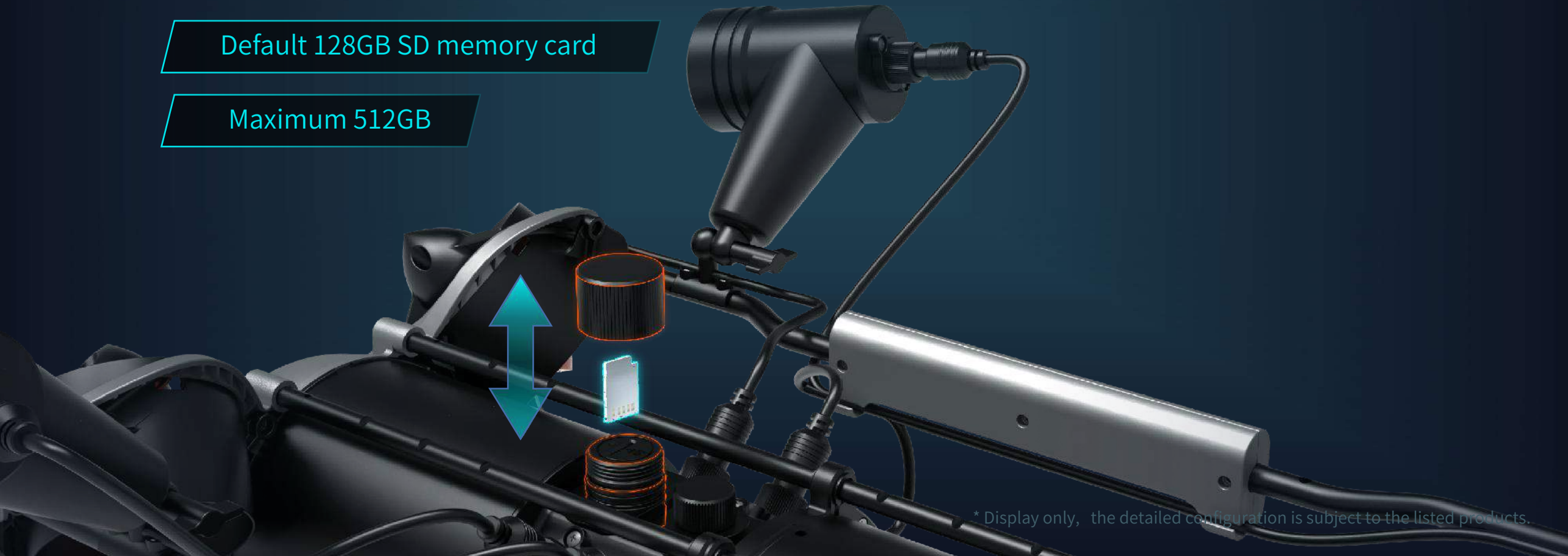
# Removable Micro SD memory card

## Download your works anytime and anywhere

The default 128G Micro SD memory card is removable. Users can choose micro SD cards with different capacities (up to 512G).

Default 128GB SD memory card

Maximum 512GB



\* Display only, the detailed configuration is subject to the listed products.

# Product Parameters

ROV	SIZE (mm)	608x294x196 fill lights not included
	WEIGHT	8KG
	MAX DEPTH	200m
	Pull (forward/float/traverse)	5.7/4.0/3.6kg
	RUNTIME	4h
	BATTERY	300Wh
	Operating Temperature	-10 ~45
CAMERA	CMOS	1/2.3"CMOS
	LENS	F1.8
	FOCUS	0.3m to
	ISO RANGE	100-6400
	FOV	152°
	MAX RESOLUTION	12 Meg Pixel
	FORMAT	JPEG/DNG
	VIDEO	UHD:3840*2160 (4K) 30fps FHD:1920*1080 (1080p) 30/60/120fps
	SLOW MOTION	720p 8x (240fps) 1080p 4x (120fps)
	TIME LAPSE	4K/1080p supported
	VIDEO STREAM	60M
	VIDEO FORMAT	MP4
	SD Card	128G

Remote Controller	SIZE (mm)	160x155x125
	WEIGHT	685g
	BATTERY	2500mAh
	RUNTIME	6H (depending on the working environment)
	USB	Supported
	WIRELESS	Wi-Fi supported
	HDMI	Supported
	HANDLE SPRING	Maximum support 10 inch
	IMU	axis gyro/accelerometer
SENSOR	Compass	Supported
	DEPTH SENSOR	±0.25m
	TEMPERATURE SENSOR	±2
	POWER	25.2V/8A
CHARGER	ROV CHARGING TIME	2.5H
	RC CHARGING TIME	2H
LED	BRIGHTNESS	2x4000 Lumens
	COLOR TEMPERATURE	5000K~5500K
	CRI	85
	DIMMING	THREE GEARS

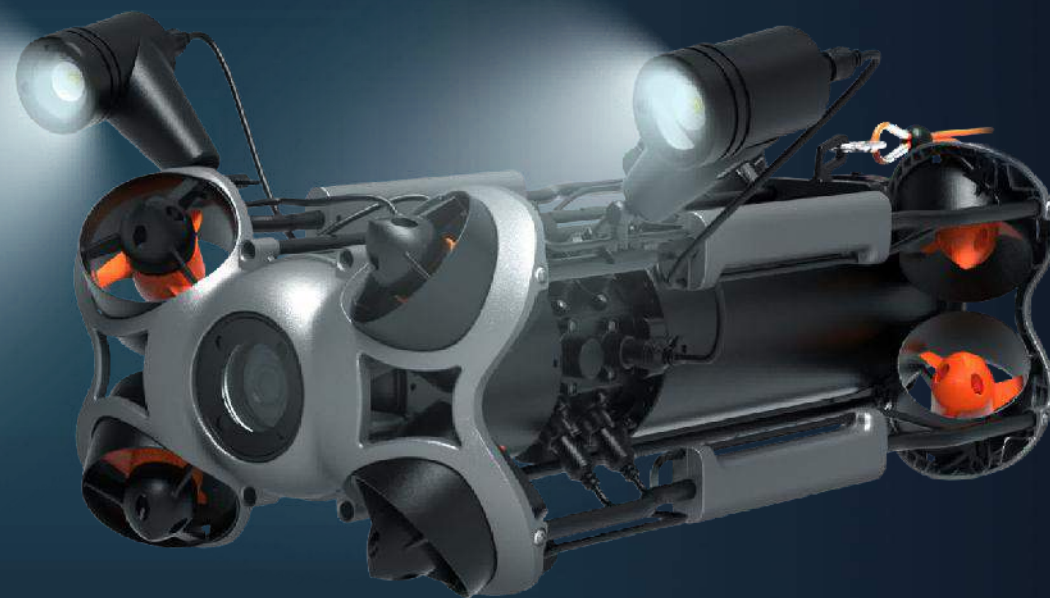
\* Display only, the detailed configuration is subject to the listed products.

CHASING

# CHASING M2 PRO MAX

Industrial-Grade Underwater Drone

*Easy / Powerful*



\* Display only, the detailed configuration is subject to the listed products.